

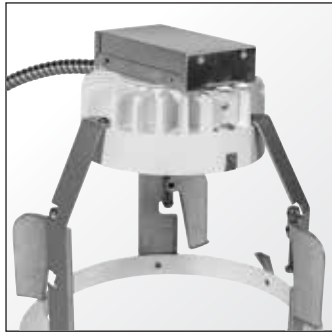
The LED downlight for all
your commercial applications.



RAB[®]
LIGHTING
RABWEB.COM • 888 722-1000

LED 8" Retrofit

- Highly efficient: up to 95 lm/W
- Available with high 90+ CRI
- Universal driver is compatible with TRIAC, ELV and 0-10V dimmers*
- 30W DLED8 replaces 50W MH and 32W CFL
38W DLED8 replaces 70W MH and 42W CFL
- Lightweight design for easy installation and increased safety
- Available in 2700, 3000, 3500 and 4000K
- 100,000-Hour LED lifespan



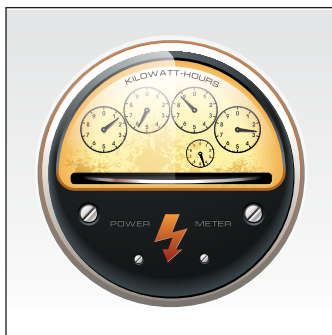
Easy Installation.

The DLED8 is designed with innovative, integrated-driver technology that makes the fixture's housing low profile and easy to install. Convenient ceiling clamps make retrofitting incandescent, CFL or HID fixtures fast and easy from below the ceiling.



Great dimming. Made easy.

RAB is serious about dimming. The DLED8 dims down to an industry leading 5% and we supply a simple dimmer reference guide to make sure dimming is smooth and stable.



Rebates.

High efficacy and high lumen output make RAB's DLED8 a prime candidate for huge savings through utility rebates of up to \$60 per fixture.



10 year warranty.

The DLED8 is backed by an unrivaled no-compromise, 10-year warranty that includes fixture finish, lumen output, color temperature and driver.



90+ CRI

Our indoor LED products are binned for 3 step consistency. A high color rendering option is available, which ensures that colors in the environment are accurate in appearance.



Listed for damp locations.

Because the DLED8 is UL listed for damp locations, it can also be utilized in covered outdoor areas.

*See dimmer compatibility list.

Specifications

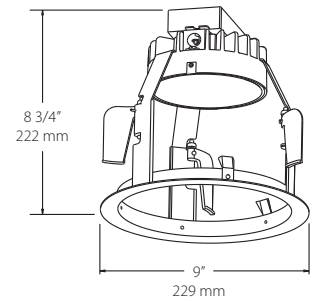
- UL Listing:** Suitable for damp locations; non-IC-rated ceilings
- LEDs:** Long-life, high-efficiency, surface mount LEDs with 3 step binning
- Driver:** Class 2, constant current, 50/60 Hz, 120-277V, 6kV surge protection
- Dimming:** Universal dimming driver for 0-10V (at 120-277V), TRIAC or ELV (at 120V only)*
- Lifespan:** 100,000-hour LED lifespan based on IES LM-80 results and TM-21 calculations
- Heat Sink:** Die-cast aluminum with external fins for maximum heat dissipation
- Housing:** Formed galvanized steel construction
- Lens:** Microprismatic diffusion lens for smooth and even light distribution
- Reflector:** Spun aluminum
- Mounting:** Ceiling clamps for easy installation into existing, commercial, recessed downlight frames with opening of 7 7/8" (200mm) minimum and 8 7/8" (225.4mm) maximum (ceiling+can/pan thickness 1 7/16" maximum).
- Color Consistency:** 3-step MacAdam Ellipse binning to achieve consistent fixture-to-fixture color
- Finish:** Chip and fade resistant polyester powder coat finish. Available in white, specular silver and matte silver.
- Green Technology:** Mercury and UV free, and RoHS compliant

* See below for list of compatible dimmers.

Dimensions & Weights

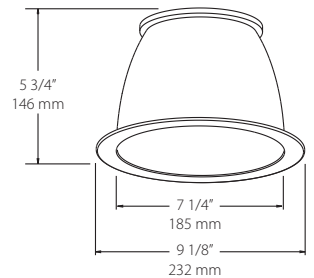
ROUGH IN

Weight:
4.2 lbs



REFLECTOR

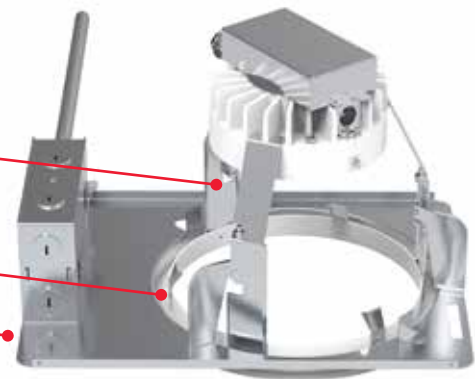
Weight:
1.4 lbs



Installation

Installs in minutes into existing, commercial recessed downlight frames. Just remove the old lamp, reflector and socket; install the DLED8 rough-ins and securely lock the fixture in place with swing-away ceiling clamps.

Compatibility: Retrofits into existing commercial recess downlight frames with opening of 7 7/8" (200mm) minimum and 8 7/8" (225.4mm) maximum; with ceiling+can/pan thickness of 1 7/16" maximum.



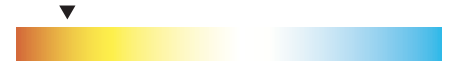
Dimmer Compatibility

BRAND	MODEL	BRAND	MODEL
LUTRON	Diva DVELV-303P	LEVITON	Decora 6161
	Diva DVCL-153P		IllumaTech IPI06-1LZ
	Diva DV-600P		IllumaTech IPE04
	Feadra FAELV-500		SureSlide 6631-2
	Lumea LG-600P		SureSlide 6633-P
	Maestro MAELV-600		Trimatron 6683-IW
	Skylark CT-103P		Vizia VPE06
	Skylark S-603PG	COOPER	Devine DLC03P
	Skylark SELV-300P		Devine DAL06P
	Skylark S-600P		Skye SLC03P
	Toggler TGCL-153P	LIGHTOLIER	Sunrise ZP260QEW
	Toggler TG-600P		

This partial list contains a representative selection of known compatible dimming controls.

Color Temperature

Residential Warm (Nominal CCT: 2700K)



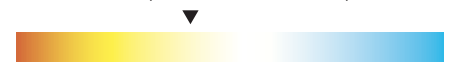
Warm (Nominal CCT: 3000K)



Warm/Neutral (Nominal CCT: 3500K)



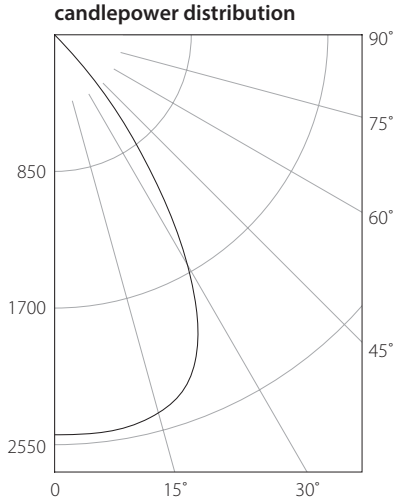
Neutral (Nominal CCT: 4000K)



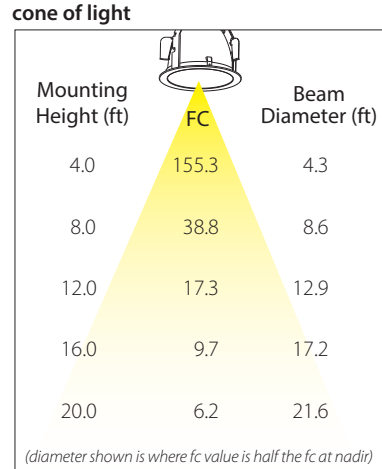
Photometrics

DLED8R30Y + D8TRIMS: 30W - 3000K - Specular Reflector

Photometric Report #RAB01440MOD308030



vertical deg.	candelas
0	2485
5	2487
15	2442
25	2091
35	1041
45	59
55	2
65	1
75	1
85	0
90	0

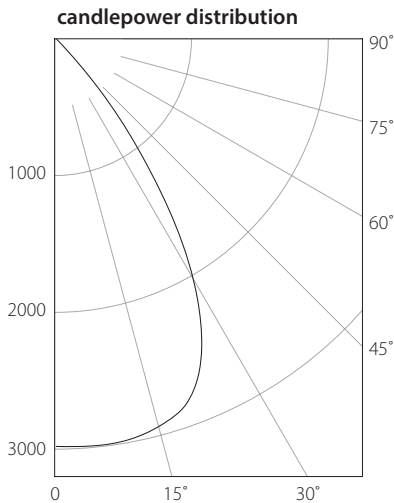


zone	lumens	% fix.
0- 30	1870	71.7
0- 40	2516	96.4
0- 60	2608	99.9
0- 90	2609	100.0
90-180	0	0.0
0-180	2609	100.0

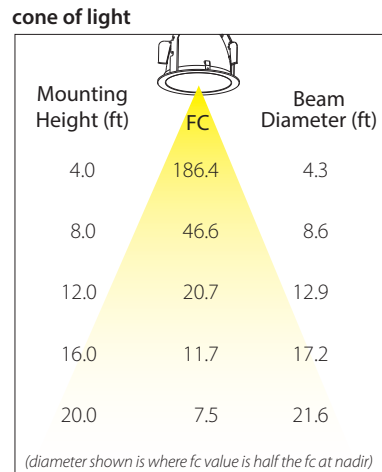
Efficacy: 89 lm/W

DLED8R38Y + D8TRIMS: 38W - 3000K - Specular Reflector

Photometric Report #RAB01440



vertical deg.	candelas
0	2983
5	2985
15	2931
25	2510
35	1250
45	71
55	2
65	1
75	1
85	0
90	0



zone	lumens	% fix.
0- 30	2245	71.7
0- 40	3020	96.4
0- 60	3131	99.9
0- 90	3132	100.0
90-180	0	0.0
0-180	3132	100.0

Efficacy: 84 lm/W

Catalog Number Matrix

ROUGH-IN (Reflector must also be ordered for a complete fixture)

Product Family	Size	Shape	Wattage	Color Temp	CRI
DLED	8	R			
	8"	Round	30 30W 38 38W	N 4000K YN 3500K Y 3000K YY 2700K	Blank 80+ CRI HC 90+ CRI

REFLECTOR

Product Family	Size	Shape	Finish
D	8	TRIM	
	8"		W White S Specular Silver M Matte Silver